

PANOVO tec developed a gripper type especial for toggle switch use, the DHG 4 type.

As well as gripper from type DHG3 they center the measurement string over the switch and warrant by their low torque of inertia and the high torsion stiffness resistant a high accuracy of measurement.



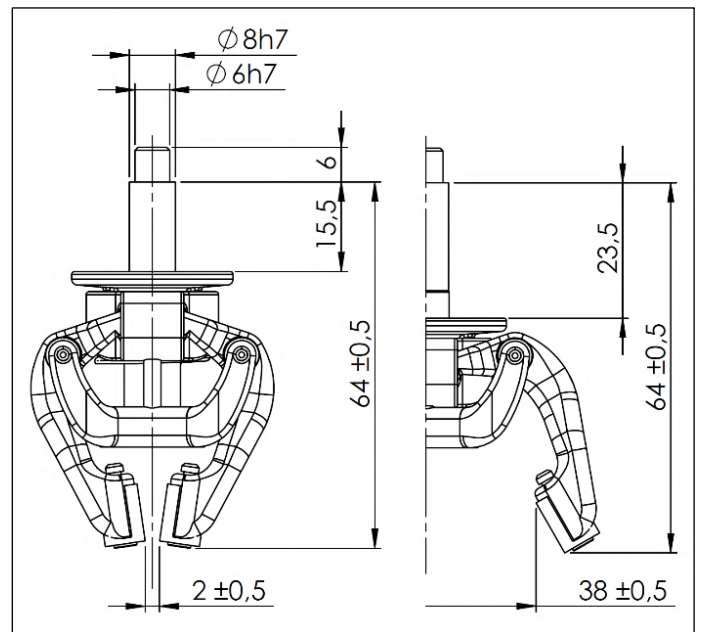
A special, in the gripper integrated mechanism uniformly distribute the locking force to all four fingers. The fingers adapt oneself by closing at the outline of the switch and ensure a stiff touch of each finger to the surface of the switch.

Special abrasion-proof finger tips guarantee a long operation time even by very slick surface.

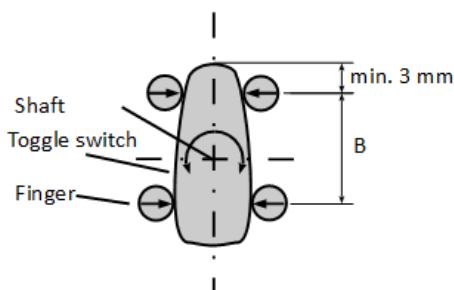
■ Technical Data

Mass [g]	50 ±5
Torque of inertia open [gcm ²]	100 ±10
Torque of inertia close [gcm ²]	70 ±5
Nominal angular velocity [°/s]	60
Max. tol. speed [1/min]	500
Operation temperature [°C]	10 ... 50
Storage temperature [°C]	10 ... 70

■ Dimensions



■ Order Code



DHG 4 - **B** - [] - []

Customisation

Coding shaft

P= whit coding

blank= whitout coding

B: Distance fingertips

Ajustment distance of fingertips to length of toggle swtich
B = [15/20/25/30]